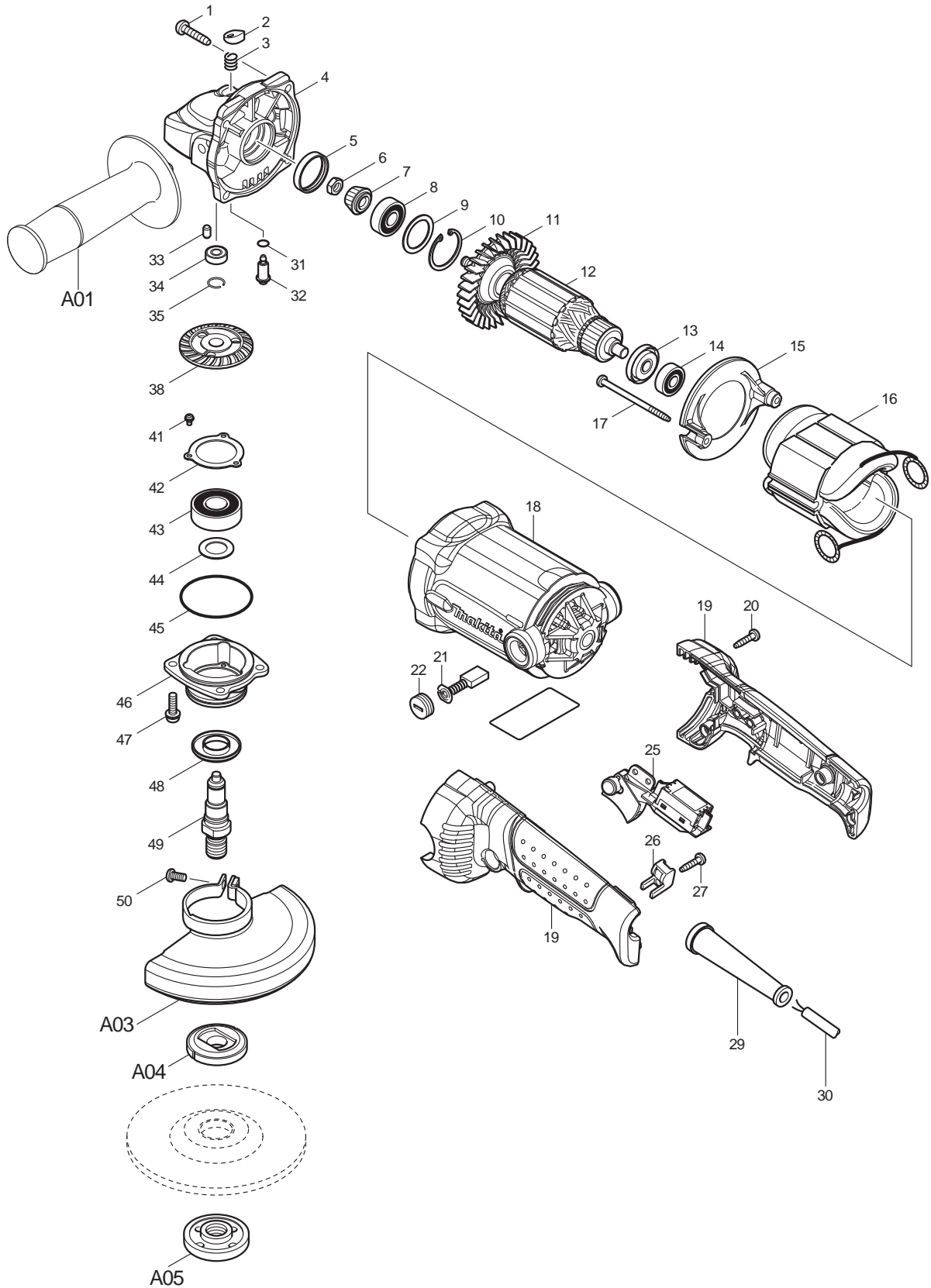




06 - 2010  
GA5010Z  
5" GRINDER, W/O LOCK



Item No	Type	Ref	Part No	Description	Qty	Unit
1			266041-8	TAPPING SCREW 5X25	4	PC.
2			417771-6	PIN CAP	1	PC.
3	2		234057-1	COMPRESSION SPRING 8	1	PC.
4			318158-4	GEAR HOUSING	1	PC.
5			262132-3	RUBBER RING 27	1	PC.
6			264010-3	HEX.NUT M7	1	PC.
7			227517-0	SPIRAL BEVEL GEAR 13	1	PC.
9	2		210059-1	BALL BEARING 6000DDW (Nylon)	1	PC.
9			267352-4	FLAT WASHER 22	1	PC.
10			962107-9	RETAINING RING (INT) R-30	1	PC.
11			240094-5	FAN 70	1	PC.
12			513701-6	ARMATURE ASS'Y 115V	1	PC.
		INC.		Item No. 11, 13, 14		
13			681644-1	INSULATION WASHER	1	PC.
14			210005-4	BALL BEARING 608DDW	1	PC.
15			419961-7	BAFFLE PLATE	1	PC.
16	1		525766-6	FIELD ASS'Y 115V (TYPE 1)	1	PC.
		INC.	654020-2	RING TERMINAL	2	PC.
		INC.	654501-6	CONNECTOR P-1.25	2	PC.
	2		520055-4	FIELD ASS'Y 115V (TYPE 2)	1	PC.
		INC.	654020-2	RING TERMINAL	2	PC.
		INC.	654555-3	CONNECTOR 34130	2	PC.
17			266340-8	TAPPING SCREW 4X65	2	PC.
18	1		158438-4	MOTOR HOUSING COMPLETE (TYPE 1)	1	PC.
		INC.	643708-9	BRUSH HOLDER 5-11	2	PC.
		INC.	810341-4	CAUTION LABEL	1	PC.
	2		158363-9	MOTOR HOUSING COMPLETE (TYPE 2)	1	PC.
		INC.	643708-9	BRUSH HOLDER 5-11	2	PC.
		INC.	810341-4	CAUTION LABEL	1	PC.
19			188292-2	HANDLE SET	1	SET
20			266326-2	TAPPING SCREW 4X18	4	PC.
21	1		191963-2	CARBON BRUSH CB-303 2PC/SET (W/O ORIGIN) -N/L/A	1	SET
	2		194996-6	CARBON BRUSH CB-303 2PC/SET (W/ ORIGIN)	1	SET
22			643750-0	BRUSH HOLDER CAP	2	PC.
25			651172-0	SWITCH TG933TN-1	1	PC.
26			687260-7	STRAIN RELIEF	1	PC.
27			266326-2	TAPPING SCREW 4X18	1	PC.
29			682505-8	CORD GUARD 10-90	1	PC.
30			664265-4	CORD WITH PLUG 2P-16-2.5M SJ	1	PC.
31			213977-2	O RING 7	1	PC.
32			256505-0	SHOULDER PIN 5	1	PC.
33			263002-9	RUBBER PIN 4	1	PC.
34			210006-2	BALL BEARING 696ZZ	1	PC.
35			233950-6	RING SPRING 11	1	PC.
38			227518-8	SPIRAL BEVEL GEAR 34 A	1	PC.
41			911003-8	PAN HEAD SCREW M3X6	3	PC.
42			285728-3	BEARING RETAINER 39	1	PC.
43			211228-7	BALL BEARING 6202DDW	1	PC.
44			253853-8	FLAT WASHER 15	1	PC.
45			213624-5	O RING 48	1	PC.
46	1		318159-2	BEARING BOX (TYPE 1)	1	PC.
	2		318300-7	BEARING BOX (TYPE 2)	1	PC.
47			265131-4	PAN HEAD SCREW M5X18	4	PC.

Item No	Type	Ref	Part No	Description	Qty	Unit
48			345464-4	LABYRINTH RING	1	PC.
49			324787-3	SPINDLE A	1	PC.
50			265103-9	PAN HEAD SCREW M5X14 (FOR 125419-3)	1	PC.
51			251391-4	PAN HEAD SCREW M5X16 (FOR 135108-2)	1	PC.
100			652044-2	+BIND SCREW M3.5X5.0(F/Circuit Diagram)	4	PC.
101	1		654037-5	INSULATED EYE TERMINAL FT1.25-M3 (F/Wiring Diagram)	4	PC.
	2		654117-7	INSULATED TERMINAL (F/Wiring Diagram) (TYPE 2)	4	PC.
<b><u>ACCESSORIES</u></b>			<b>- See Catalogue or visit <a href="http://www.makita.ca">www.makita.ca</a> for more accessories -</b>			
A01			153504-2	GRIP 36 COMPLETE	1	PC.
A02			782424-9	LOCK NUT WRENCH 28	1	PC.
A03	1		125419-3	WHEEL COVER ASS'Y F/5" (INC. ITEM 50)	1	PC.
	2		135108-2	TOOLLESS WHEEL COVER ASSY F/5" (INC. ITEM 51)	1	PC.
			122641-3	WHEEL COVER 5", F/CUT OFF	1	PC.
A04			224399-1	INNER FLANGE 45 (FOR D.C.W)	1	PC.
			224029-4	INNER FLANGE 40 (FOR C.O.W)	1	PC.
A05			224568-4	LOCK NUT 5/8-45 (FOR D.C.W)	1	PC.
			224509-0	LOCK NUT 5/8-40 (FOR C.O.W)	1	PC.
			193048-0	LOCK NUT 5/8-48 (FOR SANDING)	1	PC.
A06			741407-B	5" DEPRESSED CENTER WHEEL A24P	1	PC.
A07			A-85313	5" CUT-OFF WHEEL (7/8")	1	SET
			D-20909	5" C.O.W. A30S	1	SET
			D-18574	5" C.O.W A30	1	SET
A09	1		162258-0	VIBRATION PROOF GRIP F/4-1/2" - 6", BULK	1	PC.
	2		194514-0	VIBRATION PROOF GRIP F/4-1/2" - 6", PKG	1	PC.
A10			743015-1	RUBBER PAD 115 F/5"	1	PC.
A11			194483-5	LOOP HANDLE SET	1	SET
		INC.	416256-9	LOOP HANDLE	1	PC.
		INC.	450189-8	SPACER A	1	PC.
		INC.	450190-3	SPACER B	1	PC.
		INC.	783204-6	HEX WRENCH 6	1	PC.
		INC.	922453-2	HEX. SOCKET SCREW M8X30	2	PC.
A12			194482-7	DUST COVER ATTACHMENT	1	PC.

### **SERVICE CHANGES**

**See Technical Information #Z12397 for Wiring Change**